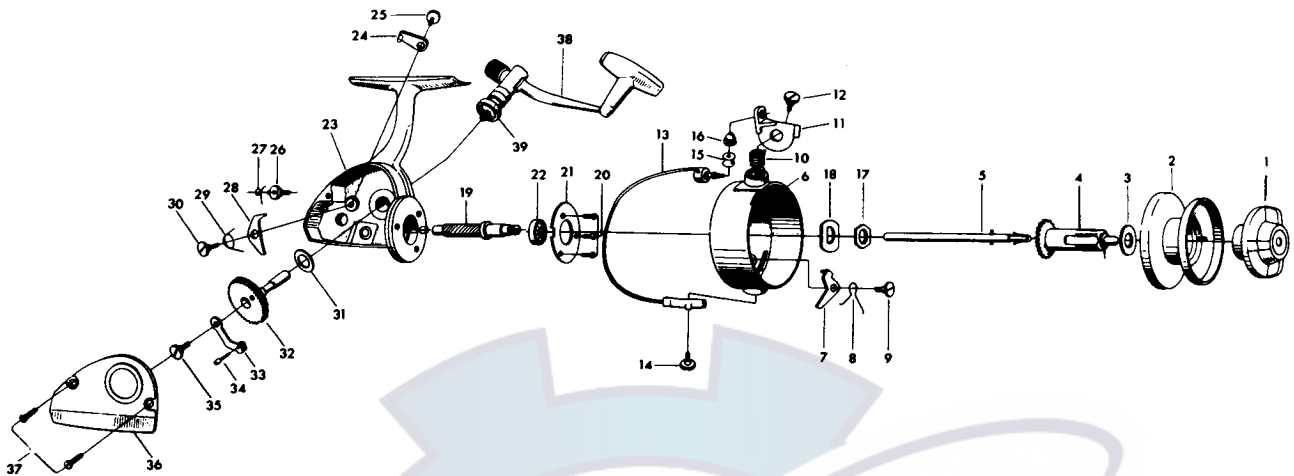


## SPINNING REEL 8100A



LINE CAPACITY: 200 YDS., 6 LB. TEST (185m. 2.7kg)

Key No.	Parts No.	Parts Name	Price Per Piece	Key No.	Parts No.	Parts Name	Price Per Piece
1	6-002-1742	Drag knob	\$2.25	21	6-632-8501	Ball bearing retaining washer	\$ .35
2	6-730-5321	Spool assembly	—	22	6-631-7611	Ball bearing	3.65
3	6-372-7501	Spool washer	.10	23	6-190-4701	Body	6.75
4	6-002-8531	Spool metal	1.20	24	6-540-5101	Anti-reverse lever	.50
5	6-002-1231	Main shaft	2.05	25	6-350-1931	Anti-reverse lever screw	.10
6	6-002-1341	Rotor	5.10	26	6-460-5601	Anti-reverse cam	.35
7	6-570-5001	Bail kick lever	.45	27	6-141-7201	Anti-reverse cam spring	.15
8	6-141-8801	Bail kick lever spring	.15	28	6-110-5501	Anti-reverse claw	.20
9	6-361-4701	Bail kick lever screw	.20	29	6-141-8511	Anti-reverse claw spring	.10
10	6-141-9511	Bail spring	.15	30	6-361-4701	Anti-reverse claw screw	.20
11	6-230-6001	Arm lever	1.50	31	6-371-2826	Drive gear washer	.10
12	6-361-5811	Arm lever screw	.55	32	6-750-1501	Drive gear	7.45
13	6-002-6311	Bail	3.00	33	6-480-4611	Oscillating slider	.30
14	6-361-5001	Bail holder screw	.70	34	6-120-7922	Oscillating slider pin	.20
15	6-250-1902	Line roller	.30	35	6-361-5311	Oscillating slider screw	.20
16	6-340-9101	Bail nut	.45	36	6-002-1802	Body cover	3.45
17	6-340-5842	Rotor nut	.25	37	6-351-1101	Body cover screw	.10
18	6-372-6801	Rotor retaining washer	.10	38	6-745-6501	Handle	4.45
19	6-401-0911	Pinion	3.15	39	6-635-6801	Handle cover	N/A
20	6-351-6501	Ball bearing retaining washer screw	.10				